

David Boucher, Assistant Professor

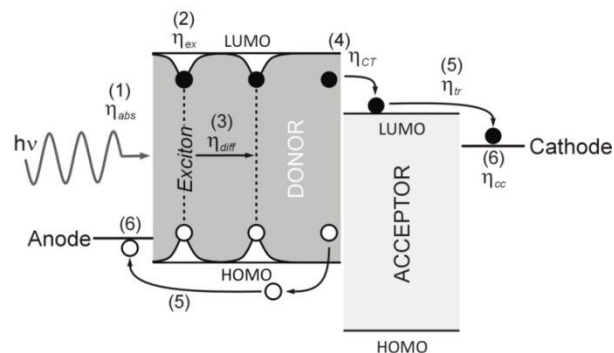
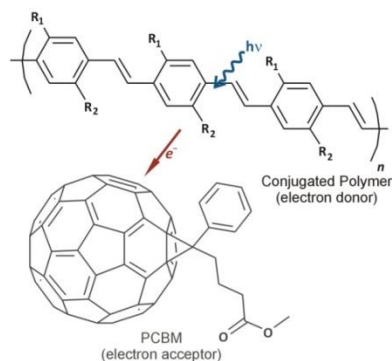


Teaching Interests
Physical Chemistry

Research Interests
Molecular Spectroscopy,
Photovoltaic Materials

Organic Photovoltaics (OPVs)

Studying exciton diffusion and charge generation processes in OPVs
Correlating OPV-based solar cell efficiencies and material morphologies



Molecular Reaction Dynamics

Gas phase reaction dynamics of weakly-bound molecular complexes
Quantum control of unimolecular reactions and molecular switches